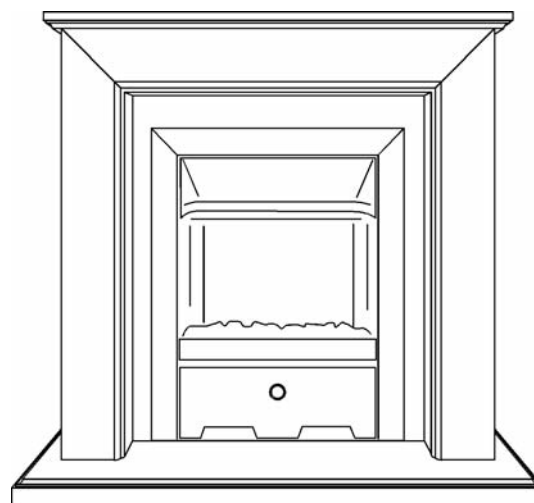
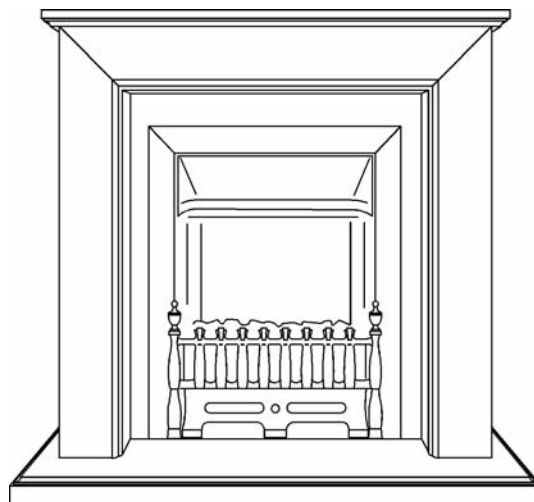


INSTALLATION GUIDE

Carlton or Matlock Electric Suite.



This suite is intended for use with electric heaters only. It must never be used with a gas fire.

This guide should be read in conjunction with the installer and owner guides supplied with the heater.

This guide is intended to help you install your Electric Suite. Please read carefully before installing. However, if further information is required, our **Valor Fires Technical Helpline** will be pleased to help.

Telephone **0844 8711 565** (National call rates apply in the United Kingdom)
In the Republic of Ireland call **0044 844 8711 565**.

Important: Please keep your guide in a safe place for future reference.

INSTALLATION GUIDE

© Baxi Heating U.K. Limited 2010.

All rights reserved. No part of this publication may be reproduced in any material form (including photocopying), stored in any medium by electronic means (including in any retrieval system or database) or transmitted, in any form or by any means, whether electronic, mechanical, recording or otherwise, without the prior written permission of the copyright owner.

Applications for the copyright owner's permission to reproduce any part of this publication should be made, giving details of the proposed use, to the following address: The Company Secretary, Baxi Heating UK Limited, The Wyvern Business Park, Stanier Way, Derby, DE21 6BF.

Warning: Any person who does any unauthorised act in relation to a copyright work may be liable to criminal prosecution and civil claims for damages.

If you require further assistance, the **Valor Fires Technical Helpline** will be pleased to help.

Please telephone **0844 8711 565** (local rates apply in the United Kingdom). In the Republic of Ireland please telephone **0044 844 8711 565**.

VALOR FIRES

Valor Fires, Erdington, Birmingham B24 9QP.
www.firesandstoves.co.uk

Because our policy is one of constant development and improvement, details may vary slightly from those given in this publication

INSTALLATION GUIDE

SAFETY

- Always read this guide in conjunction with the guide supplied with the heater.
- Always switch off electric power when not needed.

HANDLING AND UNPACKING

Before continuing any further with the installation of this suite please read the following:

Important instructions.

- The approximate lifting weight of the suite components without the fret and fascia fitted is as below:

Mantle / surround with heater	18.5kg
Hearth	3.5kg
Total	22kg
- This suite is heavy. We therefore recommend that two people should be sufficient to lift it. If fitting or moving the suite alone we recommend the use of suitable lifting apparatus.
- When lifting always keep your back straight. Bend your legs and not your back.
- Avoid twisting at the waist. It is better to reposition your feet.
- Avoid upper body / top heavy bending. Always bend from the knees rather than the waist. Do not lean forward or sideways whilst handling.
- Always grip with the palm of the hand. Do not use the tips of fingers for support.
- Always keep the suite as close to the body as possible. This will minimise the cantilever action.
- Use gloves to provide additional grip.
- Always use assistance if required.

UNPACKING THE SUITE

The lower fascia trim, fixing kit, coals / pebbles and installer guide for the heater are supplied at the back of the surround. Remove these before locating the surround assembly.

Fit the trims and firefront as in the guide supplied with the heater.

INSTALLATION GUIDE

CONTENTS

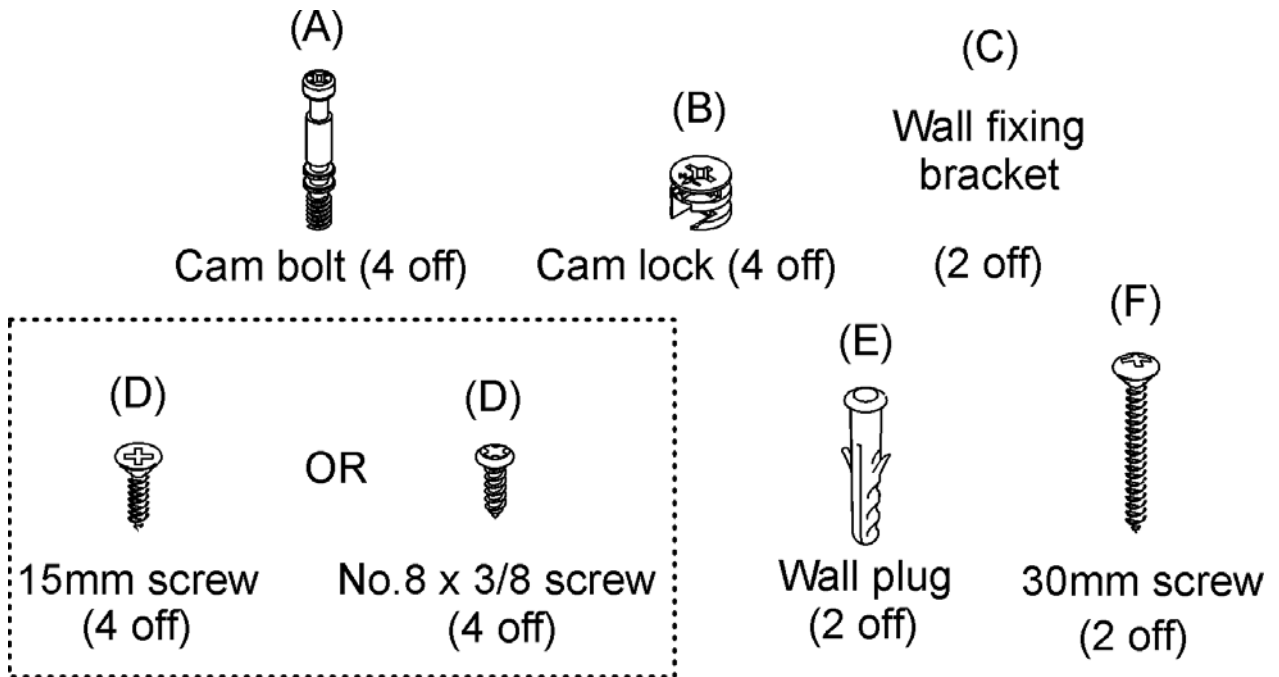


Figure 1. Contents (Items are not to scale).

DIMENSIONS

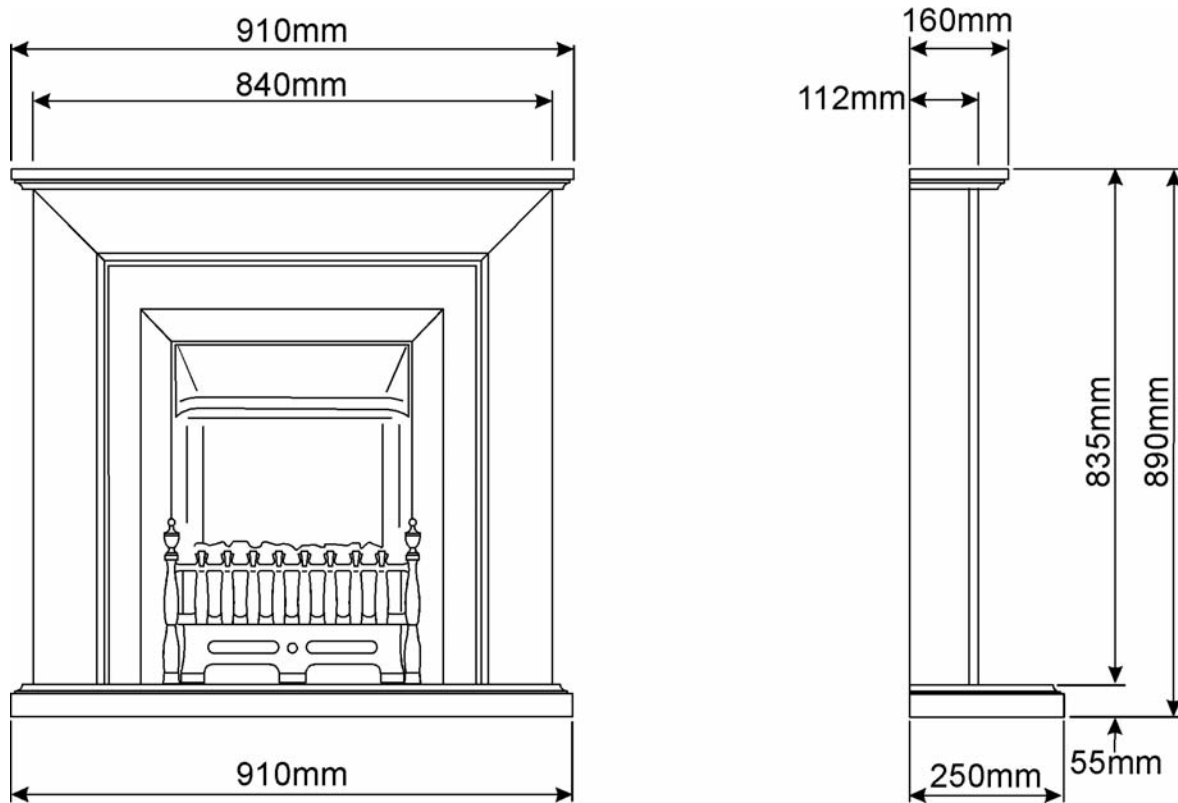


Figure 2. Dimensions (Heater fascia may differ from that shown)

INSTALLATION GUIDE

ASSEMBLING THE HEARTH AND SURROUND.

The installation of this Surround / Mantle and hearth requires a reasonable level of DIY skills.

Please read this guide thoroughly before commencing installation and if in doubt, seek help from a competent person.

Do I need any tools?

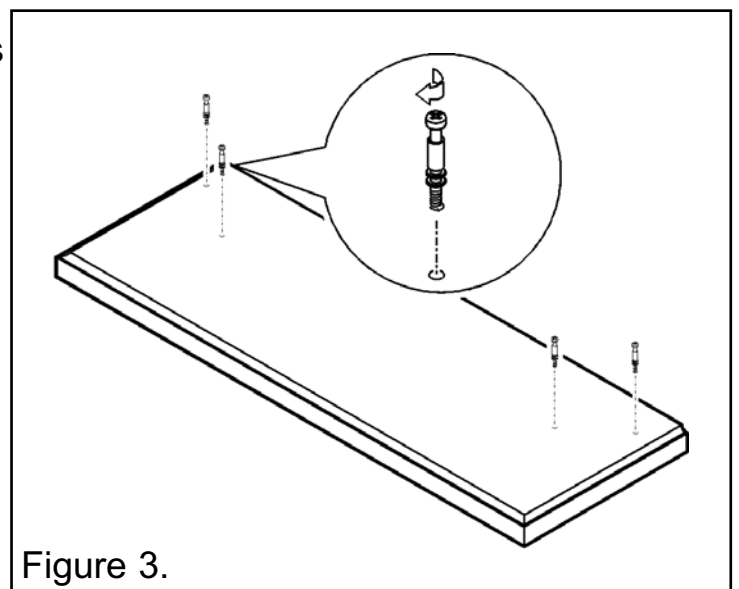
You will need the following tools :

- A Pozidrive / Phillips / cross head screwdriver. This should have a number 2 size tip.
- A power drill (preferably with hammer action) and a suitably sized masonry drill bit for the wall plugs supplied.

How to assemble the suite.

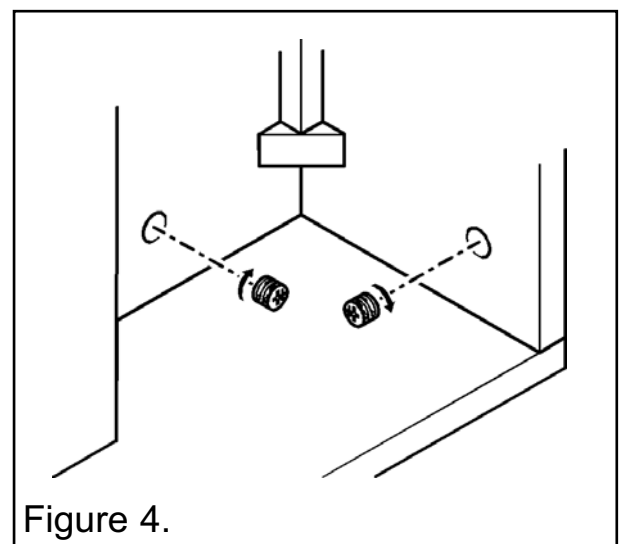
Step 1

The top of the hearth has four round holes which are lined with plastic. Locate and screw the cam bolts into these holes as in figure 3.



Step 2

The bottom of the mantle / surround has four holes that line up with those in the hearth. Lift and locate the surround / mantle onto the cam bolts. Insert and tighten the four cam locks as in figure 4.



INSTALLATION GUIDE

Step 3. Fitting the wall fixing brackets.

- There are two styles of wall fixing bracket. Only one style will be supplied with the suite.

Flat bracket.

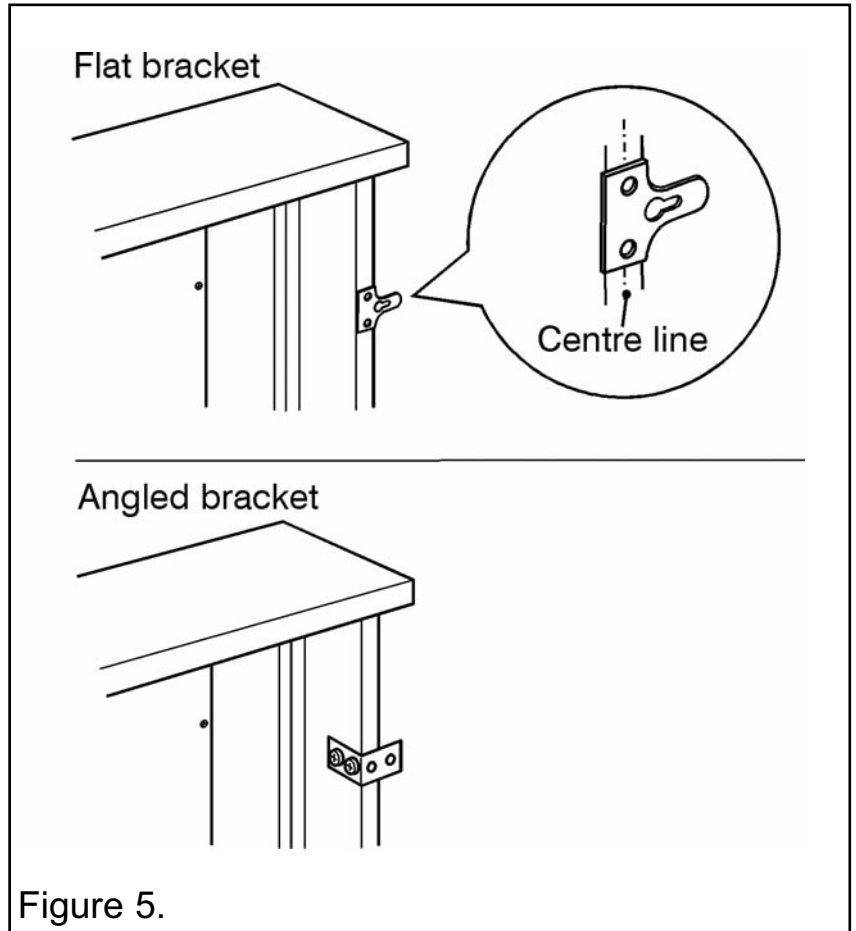
The brackets may already be secured to the suite. If not, follow the below:

- Place the wall fixing brackets along the outside edge of the legs as shown in figure 5. Ensure that the two fixing holes in the brackets are positioned in the centre of the leg. The surround may split if the fixing holes are not central. Secure in place using four (D) screws.

Angled bracket.

The brackets may already be secured to the suite. If not, follow the below:

- Place the wall fixing brackets along the inside edge of the legs as shown in figure 5. Secure in place using four (D) screws.



Step 4. Securing the Suite assembly.

- Position the suite in place. Mark the positions of the bracket holes on the wall. Move the suite aside and drill suitable sized holes. Insert the wall plugs (E). Position the suite in place and secure using four (F) screws.

Note: The wall plugs are only suitable for brick or block walls. For timber framed walls covered in plaster board we recommend the use of heavy duty cavity fixings.

- Fit the trims and firefront as in the guide supplied with the heater.

VALOR FIRES